

***KEPO***

*ISO9001 Certificate*

**SPECIFICATION FOR APPROVAL**

CUSTOMER : \_\_\_\_\_

CUSTOMER MODEL : \_\_\_\_\_

DESCRIPTION: Dynamic receiver

KEPO MODEL : KPDR-15

DOCUMENT NO. : KP3.841.214

DATE : 03/14/2005

CUSTOMER'S APPROVED SIGNATURE		

*Ningbo Kepo Electronics Co.,Ltd.*

*<http://www.chinaacoustic.com>*

Approved by	Check by	Issued by

**宁波凯普电子有限公司**

1

2

3

4

A

1.Scope:

This specification cover dynamic type KPDR-15 receiver unit for telephone use:

2.Outline dimension shall be as shown in Fig.1.

3.Electrical specification:

3-1Efficiency:100± 2dB SPL(0dB=2x10<sup>-5</sup>Pa)  
(at 1000Hz 60mV sine wave)

measurement shall be as shown in Fig.2

3-2 Impedance:32 Ω ± 20%

at 1KHz 60mV sine wave ,V<sub>R</sub>=V<sub>L</sub>=60mV, "Z<sub>X</sub>"=R ,Fig.2

3-3 Frequency response:

The 1000Hz sensitivity requirements must be met and the frequency response shall lie between the movable envelope limits shown in Fig.3.

4.Weight : approx 1 grams

5.Load test :shall be normal after test

input power:30mW white noise 24 hours

6.Humidity test : sensitivity difference shall be within 4dB after

test Temperature: 40°C

Relative humidity:90 % 96 hours

7.Temperature test :After following test ,the response at 1KHz shall

not deviate more than ± 2dB from the initial value

7-1 High temperature:+65± 3°C duration 96 hours

duration of recovery 6 hours

7-2 Low temperature:-25± 3°C duration 96 hours


duration of recovery 6 hours

7-3Temperature cycling test:

B

C

D

				<b>KEPO</b> NINGBO KEPO ELECTRONIC CO.,LTD <a href="http://www.chinaacoustic.com">http://www.chinaacoustic.com</a>	
				<b>KPDR-15 Specification</b>	
No.	DESCRIPTION	APPROVED	DATE		
<small>TOLERANCES UNLESS NOTED OTHERWISE .X ± .XX ± .XXX ± 90° FORMED +2° ANGLES -1°</small>		APPROVALS		mm	KP3.841.214
		DRAWN			
		CHECKED			
<small>FIRST ANGLE PROJECTION</small> 		APPROVED		SCALE	SHEET
				04.10.19	NOT TO SCALE

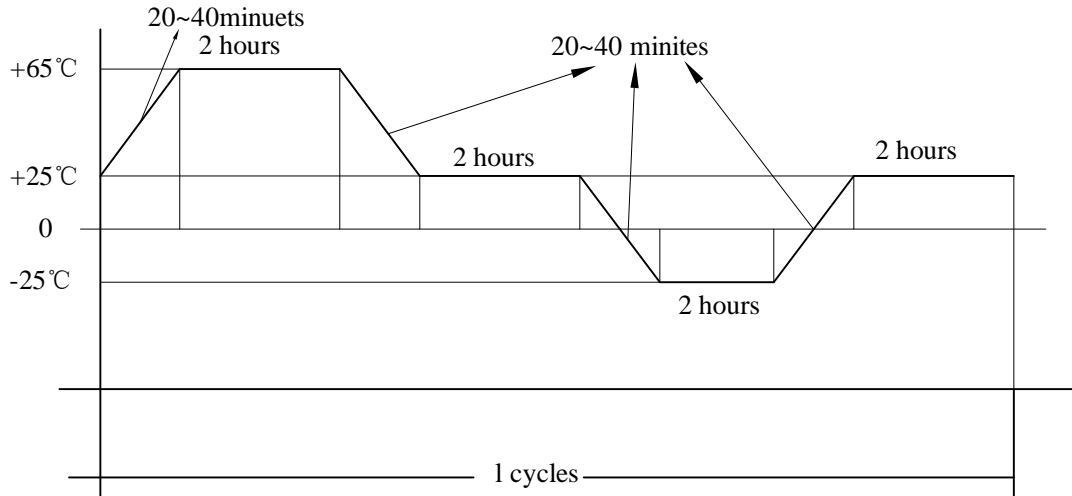
1

2

3

4

a: Temperature cycling diagram



b: Number of cycle                    2 cycle  
 c: Duration of recover                2 hours

8. Mechanical shock:

The receiver unit when properly mounted in handset or provide equivalent shall be capable withstanding six random drops from a height of 1.5 meters onto the wooden hard board of thickness 5mm with no significant mechanical degradation nor change in the 1KHz response level.

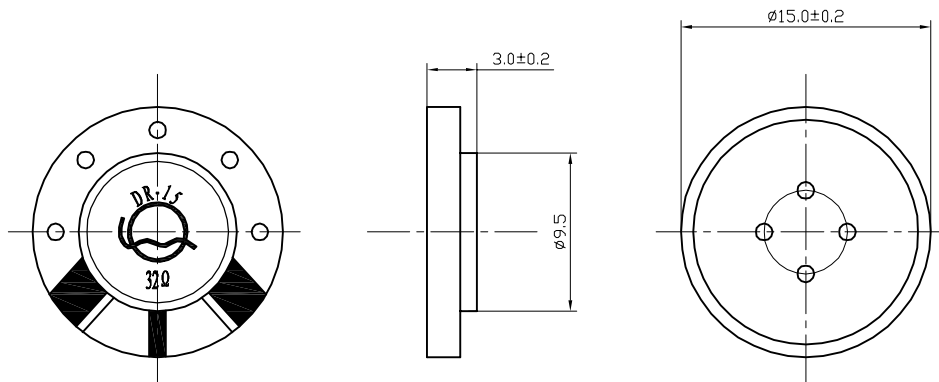


Fig. 1

				<b>KEPO</b> NINGBO KEPO ELECTRONIC CO.,LTD <a href="http://www.chinaacoustic.com">http://www.chinaacoustic.com</a>			
				<b>KPDR-15</b> <b>Specification</b>			
No.	DESCRIPTION	APPROVED	DATE	UNIT		DWG NO.	
<small>TOLERANCES UNLESS NOTED OTHERWISE</small> .X ± .XX ± .XXX ± 90° FORMED +2° ANGLES -1°		APPROVALS		DATE		mm	
		DRAWN				KP3.841.214	
<small>FIRST ANGLE PROJECTION</small> 		CHECKED				SCALE	
		APPROVED		04.10.19		NOT TO SCALE	
				SHEET		VER	
				P2		1.0	

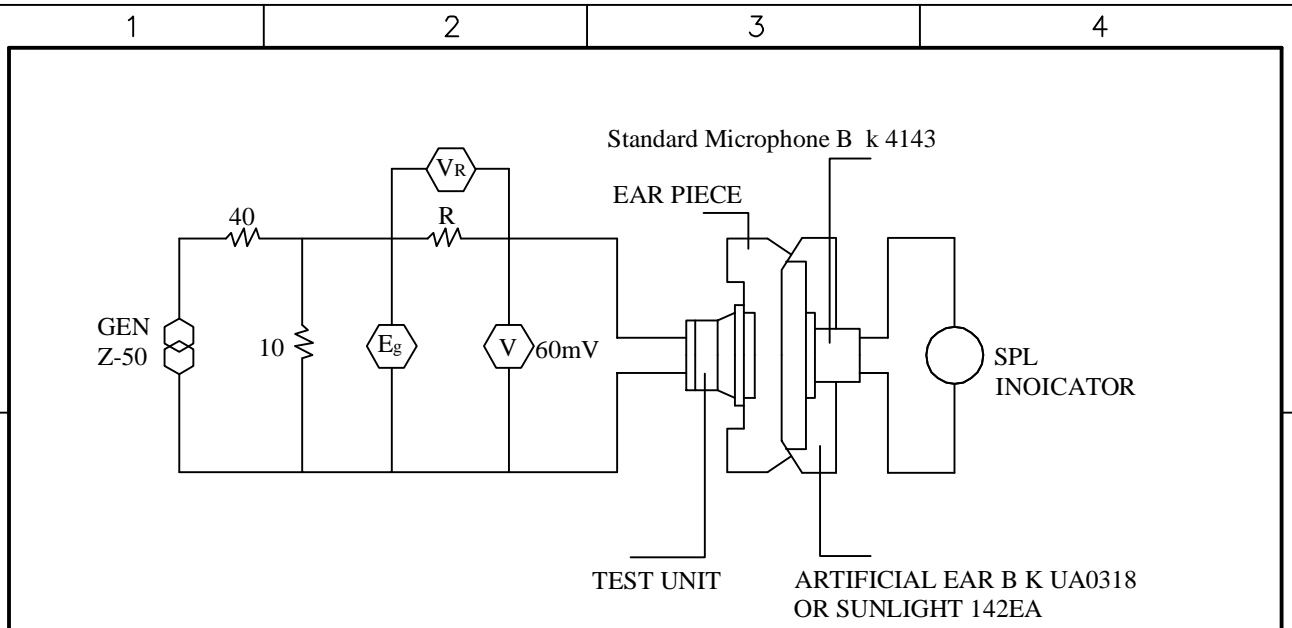


Fig.2

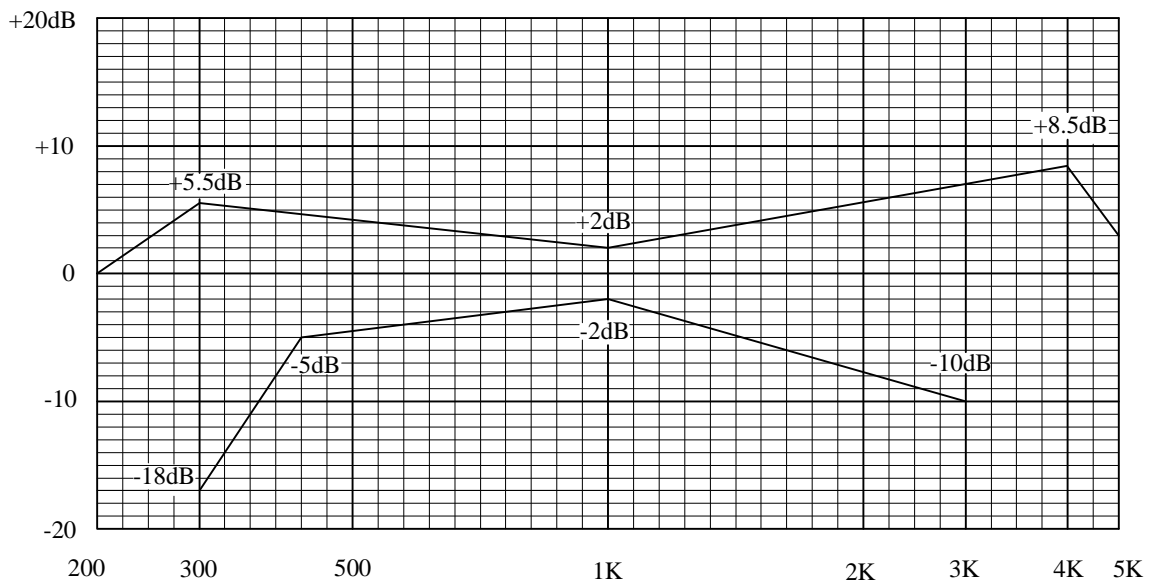


Fig.3

				<b>KEPO</b> NINGBO KEPO ELECTRONIC CO.,LTD <a href="http://www.chinaacoustic.com">http://www.chinaacoustic.com</a>		
				<b>KPDR-15</b>		
				<b>Specification</b>		
No.	DESCRIPTION	APPROVED	DATE	UNIT mm DWG NO. <b>KP3.841.214</b> SCALE NOT TO SCALE SHEET <b>P3</b> VER <b>1.0</b>		
TOLERANCES UNLESS NOTED OTHERWISE .X ± .XX ± .XXX ± 90° FORMED +2° ANGLES -1° FIRST ANGLE PROJECTION 		APPROVALS				DATE
		DRAWN				
		CHECKED				
		APPROVED	<b>04.10.19</b>			